

# PARTS LIST

[ KS-F161 ]

\* All printed circuit boards and its assemblies are not available as service parts.

<p>Area suffix</p> <p>U ----- Other Areas</p>
---

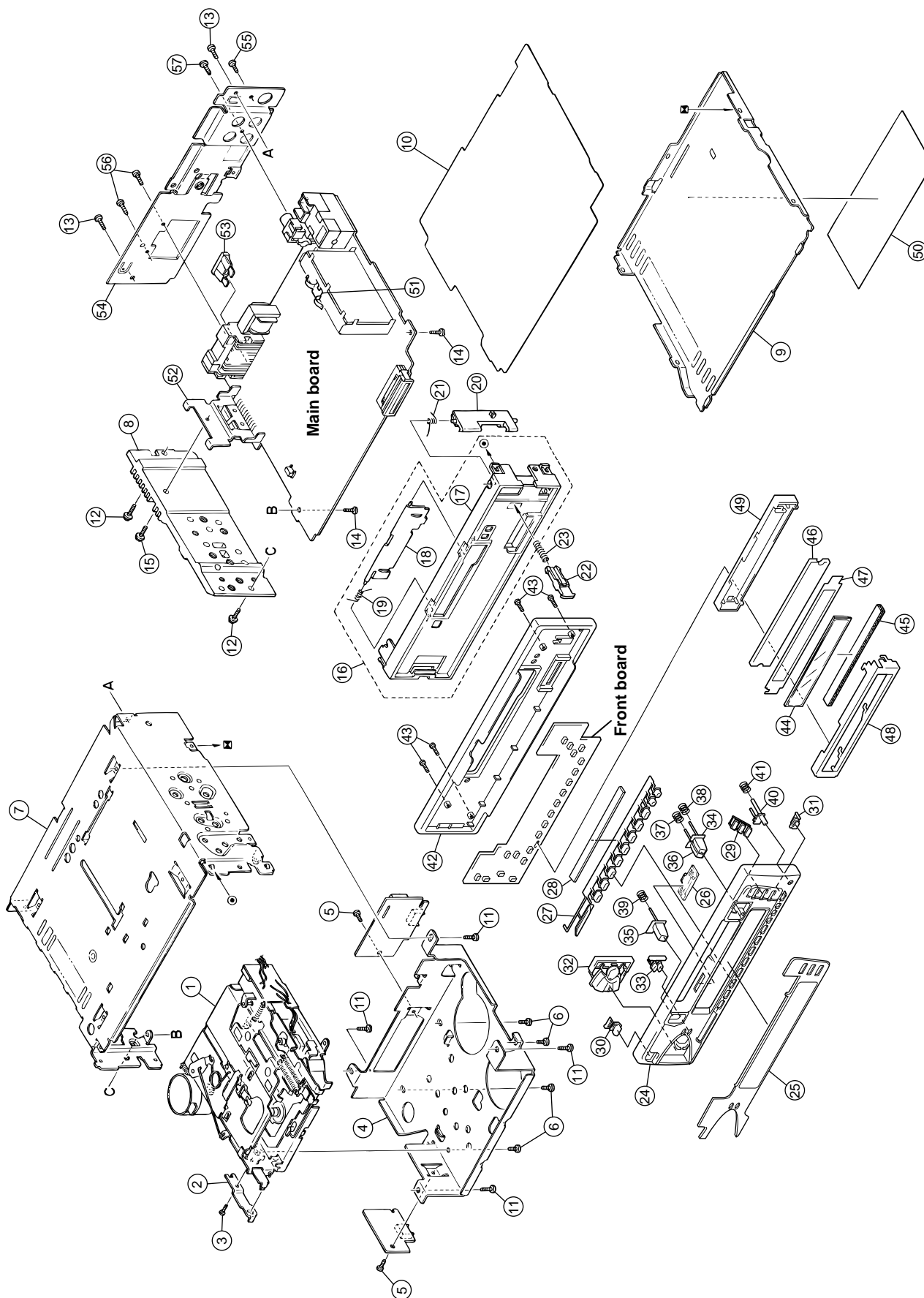
- Contents -

Exploded view of general assembly and parts list (Block No.M1) .....	3- 2
Cassette mechanism assembly and parts list (Block No.MP) .....	3- 5
Electrical parts list (Block No.01~02) .....	3-10
Packing materials and accessories parts list (Block No.M3,M5) .....	3-13

# Exploded view of general assembly and parts list

Block No. 

M	1	M	M
---	---	---	---



■ Parts list (General assembly)

Block No. M1MM

△	Item	Parts number	Parts name	Q'ty	Description	Area
	1	-----	CASSETTE MECHA	1	CDS-363SJ1	
	2	VKL7821-001	EJECT LEVER	1		
	3	QYSPSPT2625Z	MINI SCREW	1		
	4	FSKM2005-002	MECHA BRACKET	1		
	5	QYSDST2605Z	SCREW	2	PCB+MECHA	
	6	QYSDSP2604Z	SCREW	4	MECHA+M.BKT	
	7	FSJC1029-302	TOP CHASSIS	1		
	8	FSMH3001-201	SIDE PANEL	1		
	9	FSKM3011-002	BOTTOM COVER	1		
	10	FSMA3004-203	INSULATOR	1		
	11	QYSDST2605Z	SCREW	4	CHASSIS+MECHA BKT	
	12	FSKZ4005-001	SCREW	2	CHASSIS+SIDE PANEL	
	13	QYSDST2604Z	SCREW	2	CHASSIS+REAR BKT	
	14	QYSDST2606Z	SCREW	2	CHASSIS+MAIN BORD	
	15	FSKZ4005-001	SCREW	1	SIDE PANEL+IC BKT	
	16	ZCKSF150J-FB	F.CHASSIS ASSY	1	17,18,19	
	17	FSJC1055-001	FRONT CHASSIS	1		
	18	FSJC4003-029	CASSETTE LID	1		
	19	VKW4947-002	DOOR SPRING	1		
	20	FSKS3010-001	LOCK LEVER	1		
	21	FSKW4005-003	TORSION SPRING	1		
	22	FSXP3026-002	RLS KNOB	1		
	23	FSKW3002-004	COMP.SPRING	1		
	24	FSJC1053-006	FRONT PANEL	1		
	25	FSJD3022-00K	FINDER ASSY	1		
	26	FSJK3014-001	LIGHT LENS	1		
	27	FSXP2035-109	PRESET BUTTON	1	1-6,DISP,SCAN	
	28	FSYH4036-031	SHEET	1	PRESET BUTTON	
	29	FSXP2034-038	D.FUNC BUTTON	1	FM/AM/EX	
	30	FSXP3053-002	POWER BUTTON	1		
	31	FSXP4005-026	BBE BUTTON	1		
	32	FSXP2044-001	COMBO BUTTON	1		
	33	FSXP3068-003	PUSH BUTTON	1	LOUD,MO	
	34	FSXP3066-001	FF BUTTON	1		
	35	FSXP3065-001	EJECT BUTTON	1		
	36	FSXP3067-001	REW BUTTON	1		
	37	FSKW3002-003	COMP. SPRING	1	FOR REW BUTTON	
	38	FSKW3002-003	COMP. SPRING	1	FOR FF BUTTON	
	39	FSKW3002-003	COMP. SPRING	1	FOR EJECT BUTTON	
	40	FSXP3055-001	DETACH BUTTON	1		
	41	FSKW3002-012	COMP. SPRING	1	FOR DETACH BUTTON	
	42	FSJC1054-001	REAR COVER	1		
	43	VKZ4777-001	MINI SCREW	4	F.PANEL+REAR COVER	
	44	QLD0145-001	LCD MODULE	1		
	45	QNZ0439-001	RUBBER CONNE	1		
	46	FSJK3034-001	LCD LENS	1		
	47	FSYH4076-001	LIGHT SHEET	1		
	48	FSYH3022-002	LCD CASE	1		

**■ Parts list (General assembly)**

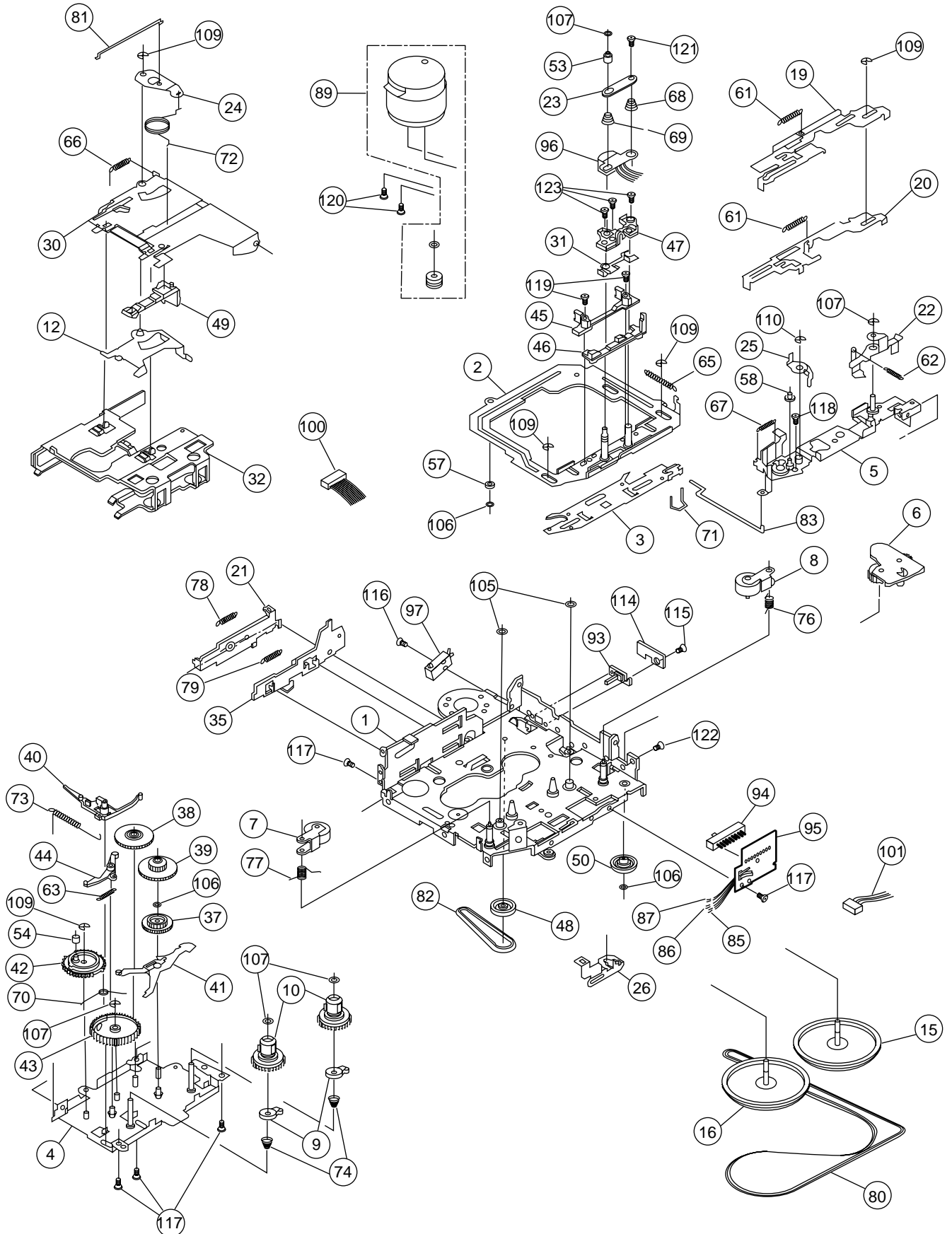
Block No. M1MM

△	Item	Parts number	Parts name	Q'ty	Description	Area
	49	FSKS3021-001	LENS CASE	1		
	50	GE30333-002A	NAME PLATE	1		
	51	VMA4652-001SS	EARTH PLATE	1		
	52	FSKL4018-00B	IC BRACKET	1		
△	53	QMFZ047-100-T	FUSE	1		
	54	FSKM3010-013	REAR BRACKET	1		
	55	QYSDST2606Z	SCREW	1	REAR BKT+ANT JACK	
	56	QYSDST2606Z	SCREW	2	REAR BKT+15P CNNECTOR	
	57	QYSDSF3006Z	SCREW	1	REAR BKT+PIN JACK	

# Cassette mechanism assembly and parts list

CDS-363SJ1

Block No. M P M M



## ■ Parts list (Cassette mechanism)

Block No. MPMM

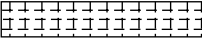
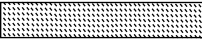

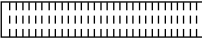

△	Item	Parts number	Parts name	Q'ty	Description	Area
	1	X-0363-1001S	MAIN CHASSIS ASSY	1		
	2	X-0363-1002S	HEAD PLATE ASSY	1		
	3	X-0363-1004S	FR CONV ARM (A)	1		
	4	X-0363-6001S	REEL BASE ASSY	1		
	5	X-0363-6007S	LEVER BRKT ASSY	1		
	6	X-0363-6003S	TU GEAR ARM ASSY	1		
	7	X-0363-6004S	PINCH ARM(R) ASSY	1		
	8	X-0363-6005S	PINCH ARM(F) ASSY	1		
	9	X-0363-6006S	DETECTOR CAM ASSY	2		
	10	X-0363-2005S	REEL SPINDLE ASSY	2		
	12	X-0363-1019S	EJ.CAM LOCK ASSY	1		
	15	1-0363-6010S	FLYWHEEL ASSY F	1		
	16	1-0363-6011S	FLYWHEEL ASSY R	1		
	19	1-0036-1065S	FF LEVER(JVC)	1		
	20	1-0036-1066S	REW LEVER(JVC)	1		
	21	1-0036-1007S	EJECT LEVER	1		
	22	1-0036-1013S	LOCK ARM	1		
	23	1-0036-1015S	SPG SUPPORT PLT	1		
	24	1-0036-1018S	CENTER PLATE	1		
	25	1-0036-1023S	CHANGE LEVER(B)	1		
	26	1-0036-1026S	FR ARM(B)	1		
	30	1-0138-1002S	CASSETTE HANGER	1		
	31	1-0138-1006S	ADJUSTER SHIN(X	1		
	32	1-0138-1010S	CASSETTE HOLDER	1		
	35	1-0363-1003S	EJECT CAM	1		
	37	1-0036-2001S	IDLE GEAR	1		
	38	1-0036-2003S	REDUCT.GEAR(B)	1		
	39	1-0036-2004S	REDUCT.GEAR(A)	1		
	40	1-0036-2007-5S	RATCHET	1		
	41	1-0036-2009S	SENSOR ARM	1		
	42	1-0036-2010S	SELECTOR GEAR	1		
	43	1-0036-2014S	DETECTOR GEAR	1		
	44	1-0038-2014S	GEAR LOCK ARM	1		
	45	1-0038-2018S	TAPE GUIDE	1		
	46	1-0363-2006S	ADJUSTER LINK(B	1		
	47	1-0138-2005-3S	ADJUSTER ARM(B)	1		
	48	1-0036-2005S	PULLEY GEAR	1		
	49	1-0032-2007S	TAPE HOOKER	1		
	50	1-0058-2021-5S	IDLER PULLEY(A)	1		
	53	1-0363-3018S	FF ROLLER	1		
	54	1-0036-3018S	COLLER	1		
	57	1-0363-3007S	HP ROLLER(A)	1		
	58	1-0363-3011S	PROGRAM ROLLER	1		
	61	1-0036-4001S	FF/REW LEVER SP	2		
	62	1-0036-4002S	LOCK LEVER SPG	1		
	63	1-0036-4003S	GEAR LOCK ARM S	1		
	65	1-0036-4006S	HEAD PLATE SPG	1		
	66	1-0036-4007S	EJ.CAM LOCK SPG	1		

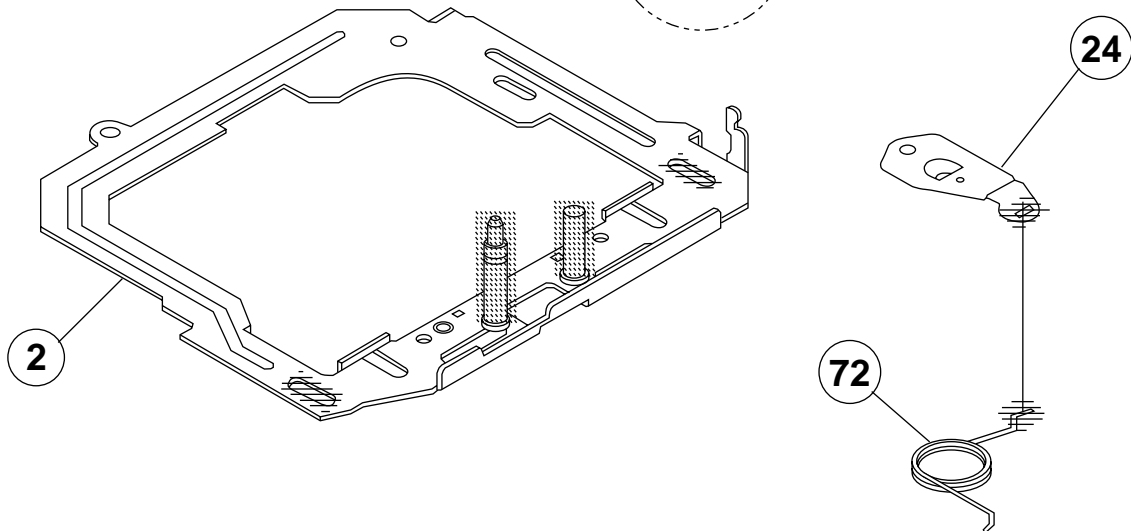
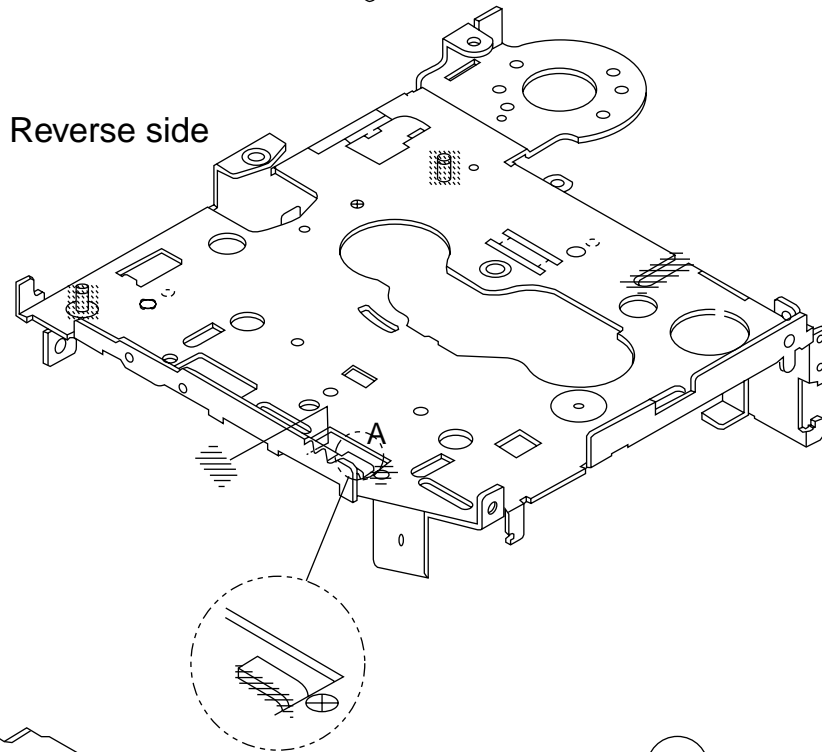
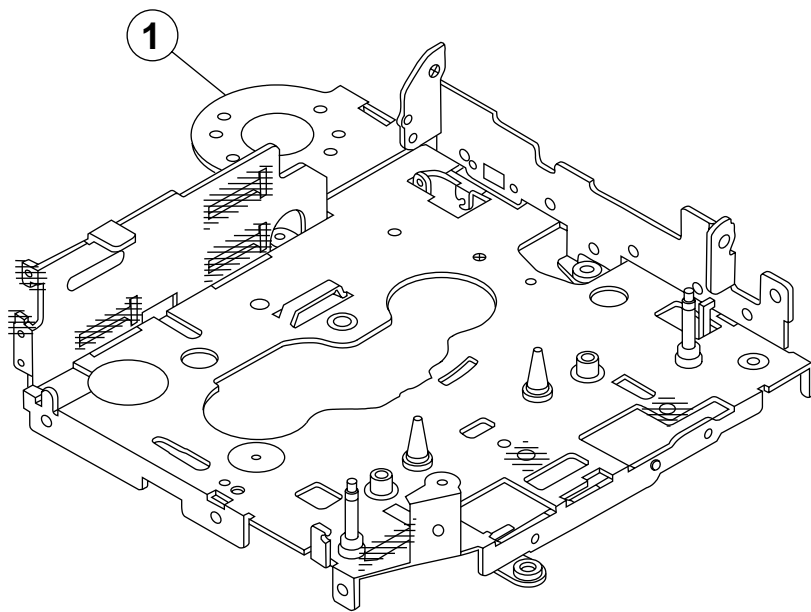
**Parts list (Cassette mechanism)**

Block No. MPMM

△	Item	Parts number	Parts name	Q'ty	Description	Area
	67	1-0036-4008S	PROGRAM ARM SPG	1		
	68	1-0036-4010S	ADJUST ARM SP(A)	1		
	69	1-0036-4011S	ADJUST ARM SP(B)	1		
	70	1-0036-4015S	DASH SPG	1		
	71	1-0036-4017S	CHANGING ARM SP	1		
	72	1-0036-4023S	CENTER PLT SP(B)	1		
	73	1-0038-4014S	RATCHET SPG	1		
	74	1-0138-4001S	BACK TENSION SP	2		
	76	1-0363-4003S	PINCH ARM SPG F	1		
	77	1-0363-4004S	PINCH ARM SPG R	1		
	78	1-0363-4005S	EJECT LEVER SPG	1		
	79	1-0036-4005S	EJECT CAM SPG	1		
	80	1-0036-5020S	MAIN BELT(AL)	1		
	81	1-0363-5007S	RETURN LINK	1		
	82	1-0036-5001S	SUB BELT	1		
	83	1-0363-5003S	SELECTOR LINK B	1		
	85	1-0036-7002S	WIRE(A)	1		
	86	1-0036-7003S	WIRE(B)	1		
	87	1-0036-7073S	WIRE(AL)	1		
	89	X-0363-7006S	MOTOR ASSY	1		
	93	1-0363-7001S	MUTE SW	1		
	94	1-0363-7002S	SLIDE SW	1		
	95	1-0363-7008S	SLIDE SW PWB	1		
	96	1-0036-7016S	HEAD	1		
	97	1-0363-7005S	POWER SW	1		
	100	1-0036-7089S	6P WIRE ASY(JVC	1		
	101	1-0036-7088S	5P WIRE ASY(JVC	1		
	105	2-1816-0032-E8S	MYLAR WASHER(S)	2		
	106	2-1812-0030-D2S	POLY WASHER(S)	3		
	107	1-0036-5024S	PSW(REEL)	5		
	109	2-1712-0050-16S	E RING	5		
	110	2-1712-5060-16S	E RING	1		
	114	1-0363-7015S	MUTE SW PWB	1		
	115	2-1331-7040-C2S	SCREW S	1		
	116	2-1331-7060-C2S	SCREW S	1		
	117	2-1382-0030-C2S	SCREW B	5		
	118	2-1332-0040-C1S	SCREW S	1		
	119	2-1032-0070-C2S	SCREW	2		
	120	2-1032-0025-C2S	SCREW	2		
	121	2-1012-0040-C2S	SCREW	1		
	122	2-1012-0030-F2S	SCREW	1		
	123	1-0138-5002S	AZIMUTH SCREW	3		

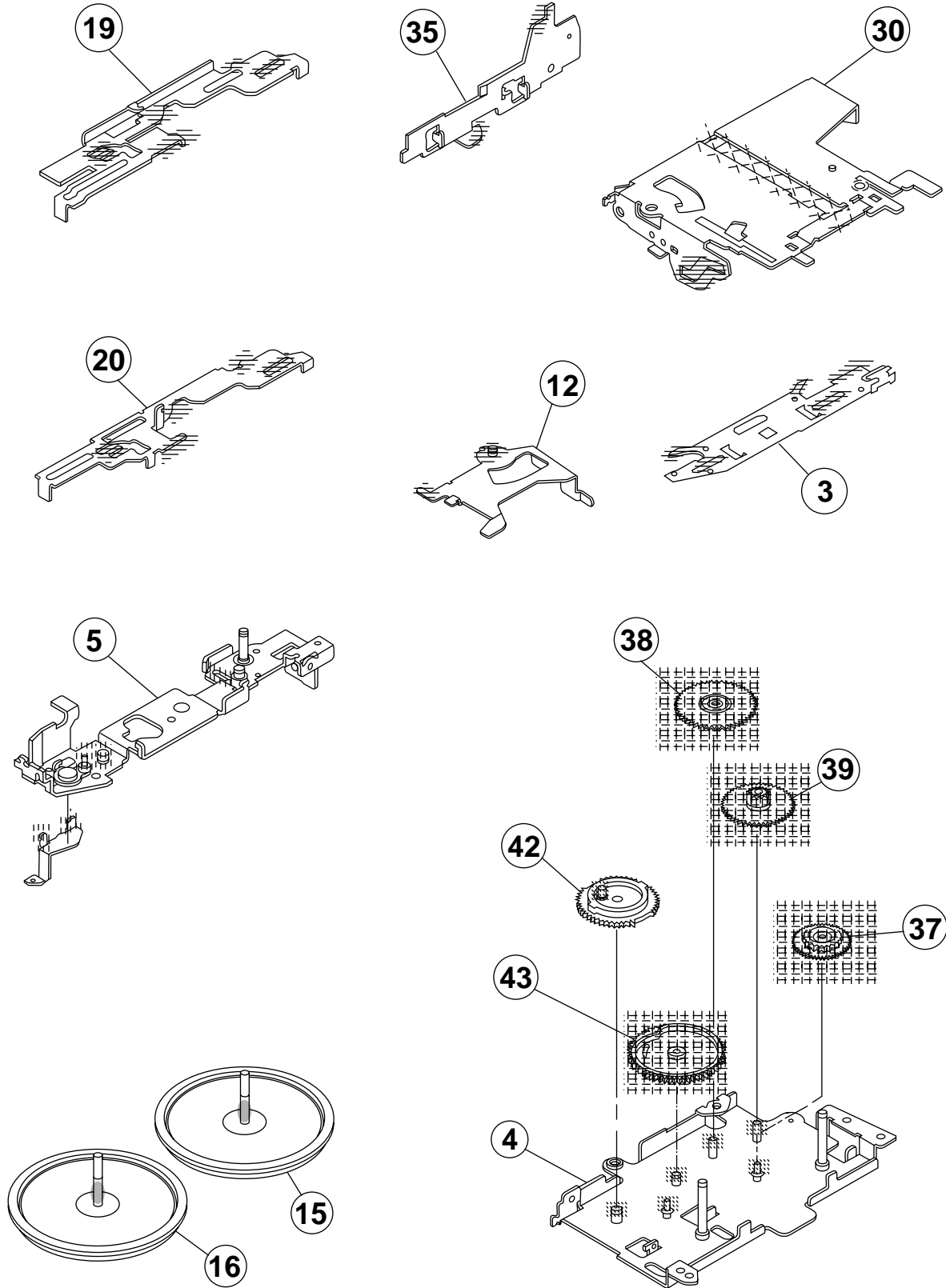
# Grease point 1/2

Grease	
	FL-942
	SW-902
	SW-522B
	FG-84M
	C68





# Grease point 2/2



## ■ Electrical parts list (Main board)

Block No. 01

△	Item	Parts number	Parts name	Remarks	Area	△	Item	Parts number	Parts name	Remarks	Area
	C 2	QDX11EK-223Z	C CAPACITOR				C 971	QERF1EM-475Z	E CAPACITOR	4.7MF 20% 25V	
	C 3	QEKJ1HM-104Z	E CAPACITOR	.10MF 20% 50V			C 972	QERF1AM-227Z	E CAPACITOR	220MF 20% 10V	
	C 4	QEKJ1HM-104Z	E CAPACITOR	.10MF 20% 50V			C 980	QCBB1HK-271Y	C CAPACITOR	270PF 10% 50V	
	C 5	QEKJ1CM-106Z	E CAPACITOR	10MF 20% 16V			C 981	QEZ0518-228	E CAPACITOR	2200MF	
	C 6	QDX11EK-223Z	C CAPACITOR				C 982	QDYB1CM-103Y	C CAPACITOR		
	C 7	QDX11EK-223Z	C CAPACITOR				C 983	QDYB1CM-103Y	C CAPACITOR		
	C 8	QERF1HM-104Z	E CAPACITOR	.10MF 20% 50V			C 984	QERF1CM-106Z	E CAPACITOR	10MF 20% 16V	
	C 9	QDYB1CM-103Y	C CAPACITOR				C 985	QRE141J-472Y	C RESISTOR	4.7K 5% 1/4W	
	C 11	QDYB1CM-103Y	C CAPACITOR				C 986	QERF1CM-106Z	E CAPACITOR	10MF 20% 16V	
	C 15	QDYB1CM-103Y	C CAPACITOR				C 987	QEKJ1CM-106Z	E CAPACITOR	10MF 20% 16V	
	C 101	QDGB1HK-821Y	C CAPACITOR				C 988	QERF1CM-476Z	E CAPACITOR	47MF 20% 16V	
	C 102	QEKJ1HM-474Z	E CAPACITOR	.47MF 20% 50V			CJ701	VMC0334-001	CONNECTOR	TO FRONT PANEL	
	C 103	QCBB1HK-101Y	C CAPACITOR	100PF 10% 50V			CJ901	QGA2002C1-05	CONNECTOR		
	C 104	QEKJ0JM-476Z	E CAPACITOR	47MF 20% 6.3V			CJ921	QNN0183-001	PIN JACK		
	C 105	QFV61HJ-103Z	MF CAPACITOR	.010MF 5% 50V			CN721	QGB1214J1-06S	CONNECTOR	TO MECHA	
	C 131	QEKJ1HM-105Z	E CAPACITOR	1.0MF 20% 50V			CN901	QGB1214J1-06S	CONNECTOR	TO MECHA	
	C 132	QEKJ1HM-105Z	E CAPACITOR	1.0MF 20% 50V			CP721	QGB1214K1-06S	CONNECTOR		
	C 134	QFLK1HJ-822Z	M CAPACITOR	8200PF 5% 50V			CP722	QGA2002F1-06	CONNECTOR		
	C 135	QFV61HJ-154Z	MF CAPACITOR	.15MF 5% 50V			CP901	QGB1214K1-06S	CONNECTOR		
	C 136	QFV61HJ-224Z	MF CAPACITOR	.22MF 5% 50V			CP981	QNZ0002-001	CONN.TERMINAL		
	C 137	QFV61HJ-333Z	MF CAPACITOR	.033MF 5% 50V			D 1	1SS119-041	SI DIODE		
	C 138	QFLK1HJ-562Z	M CAPACITOR	5600PF 5% 50V			D 2	1SS119-041	SI DIODE		
	C 150	QERF1HM-105Z	E CAPACITOR	1.0MF 20% 50V			D 161	1SS119-041	SI DIODE	REAR	
	C 152	QCBB1HK-471Y	C CAPACITOR	470PF 10% 50V			D 261	1SS119-041	SI DIODE	REAR	
	C 160	QEKJ1HM-105Z	E CAPACITOR	1.0MF 20% 50V			D 704	MTZJ5.6B-T2	ZENER DIODE		
	C 162	QCBB1HK-471Y	C CAPACITOR	470PF 10% 50V			D 705	MTZJ5.6B-T2	ZENER DIODE		
	C 201	QDGB1HK-821Y	C CAPACITOR				D 706	MTZJ5.6B-T2	ZENER DIODE		
	C 202	QERF1HM-474Z	E CAPACITOR	.47MF 20% 50V			D 707	MTZJ5.6B-T2	ZENER DIODE		
	C 203	QCBB1HK-101Y	C CAPACITOR	100PF 10% 50V			D 708	MTZJ5.6B-T2	ZENER DIODE		
	C 204	QEKJ0JM-476Z	E CAPACITOR	47MF 20% 6.3V			D 709	MTZJ5.6B-T2	ZENER DIODE		
	C 205	QFV61HJ-103Z	MF CAPACITOR	.010MF 5% 50V			D 711	MTZJ5.6B-T2	ZENER DIODE		
	C 231	QERF1HM-105Z	E CAPACITOR	1.0MF 20% 50V			D 714	1SS119-041	SI DIODE		
	C 232	QERF1HM-105Z	E CAPACITOR	1.0MF 20% 50V			D 716	1SS119-041	SI DIODE		
	C 234	QFLK1HJ-822Z	M CAPACITOR	8200PF 5% 50V			D 718	1SS119-041	SI DIODE		
	C 235	QFV61HJ-154Z	MF CAPACITOR	.15MF 5% 50V			D 719	QUY150-050Y	BUS WIRE		
	C 236	QFV61HJ-224Z	MF CAPACITOR	.22MF 5% 50V			D 771	MTZJ9.1C-T2	Z DIODE		
	C 237	QFV61HJ-333Z	MF CAPACITOR	.033MF 5% 50V			D 781	1SS119-041	SI DIODE		
	C 238	QFLK1HJ-562Z	M CAPACITOR	5600PF 5% 50V			D 782	1SS119-041	SI DIODE		
	C 250	QERF1HM-105Z	E CAPACITOR	1.0MF 20% 50V			D 784	DSK10C-T1	DIODE		
	C 252	QCBB1HK-471Y	C CAPACITOR	470PF 10% 50V			D 785	DSK10C-T1	DIODE		
	C 260	QERF1HM-105Z	E CAPACITOR	1.0MF 20% 50V			D 786	DSK10C-T1	DIODE		
	C 262	QCBB1HK-471Y	C CAPACITOR	470PF 10% 50V			D 791	1SS119-041	SI DIODE		
	C 701	QDUB1HJ-270Y	C CAPACITOR				D 792	1SS119-041	SI DIODE		
	C 702	QDCB1HJ-220Y	C CAPACITOR				D 973	1SS119-041	SI DIODE		
	C 703	QERF0JM-107Z	E CAPACITOR	100MF 20% 6.3V			D 974	1SS119-041	SI DIODE		
	C 704	QFV61HJ-224Z	MF CAPACITOR	.22MF 5% 50V			D 981	1N5401-TM	DIODE		
	C 705	QERF1CM-106Z	E CAPACITOR	10MF 20% 16V			D 990	MTZJ11B-T2	ZENER DIODE		
	C 706	QDYB1CM-103Y	C CAPACITOR				IC701	LC72362N-9920	IC		
	C 707	QFV61HJ-103Z	MF CAPACITOR	.010MF 5% 50V			IC781	AN80T05LF	IC	REGULATOR	
	C 771	QERF1AM-227Z	E CAPACITOR	220MF 20% 10V			IC901	UPC1228HA	IC		
	C 772	QERF1HM-225Z	E CAPACITOR	2.2MF 20% 50V			IC931	TEA6320T-X	IC		
	C 773	QDGB1HK-102Y	C CAPACITOR				IC981	HA13158A	IC		
	C 781	QEKJ1CM-106Z	E CAPACITOR	10MF 20% 16V			J 1	QNZ0009-001	ANTENNA JACK		
	C 783	QETN0JM-228Z	E CAPACITOR	2200MF 20% 6.3V			L 1	QQL231K-4R7Y	INDUCTOR		
	C 784	QERF1AM-227Z	E CAPACITOR	220MF 20% 10V			L 781	QQL231K-470Y	INDUCTOR		
	C 785	QERF1CM-106Z	E CAPACITOR	10MF 20% 16V			L 782	QQL231K-470Y	INDUCTOR		
	C 786	QETM1AM-228	E CAPACITOR	2200MF 20% 10V			L 783	QQL231K-470Y	INDUCTOR		
	C 901	QEKJ1AM-107Z	E CAPACITOR	100MF 20% 10V			L 981	QQR0704-001	CHOKE COIL		
	C 931	QEKJ1AM-107Z	E CAPACITOR	100MF 20% 10V			Q 1	2SA1706/ST/-T	TRANSISTOR		
	C 932	QDYB1CM-103Y	C CAPACITOR				Q 2	KRC102M-T	D.TRANSISTOR		
	C 933	QERF1AM-107Z	E CAPACITOR	100MF 20% 10V			Q 3	KTA1267/YG/-T	TRANSISTOR		
	C 934	QERF1CM-476Z	E CAPACITOR	47MF 20% 16V			Q 5	KRC102M-T	D.TRANSISTOR		
	C 951	QERF1EM-475Z	E CAPACITOR	4.7MF 20% 25V			Q 161	2SD2144S/VW/-T	TRANSISTOR	REAR	

## ■ Electrical parts list (Main board)

Block No. 01

△	Item	Parts number	Parts name	Remarks	Area	△	Item	Parts number	Parts name	Remarks	Area
	Q 261	2SD2144S/VW-T	TRANSISTOR	REAR			R 714	QRE141J-332Y	C RESISTOR	3.3K 5% 1/4W	
	Q 701	KTC3199/GL-T	TRANSISTOR				R 715	QRE141J-101Y	C RESISTOR	100 5% 1/4W	
	Q 771	KTC3199/GL-T	TRANSISTOR				R 716	QRE141J-101Y	C RESISTOR	100 5% 1/4W	
	Q 772	KTC3199/GL-T	TRANSISTOR				R 717	QRE141J-101Y	C RESISTOR	100 5% 1/4W	
	Q 781	KRC102M-T	D.TRANSISTOR				R 718	QRE141J-332Y	C RESISTOR	3.3K 5% 1/4W	
	Q 782	2SA1706/ST-T	TRANSISTOR				R 719	QRE141J-332Y	C RESISTOR	3.3K 5% 1/4W	
	Q 783	KRC102M-T	D.TRANSISTOR				R 720	QRE141J-332Y	C RESISTOR	3.3K 5% 1/4W	
	Q 784	2SA1706/ST-T	TRANSISTOR				R 721	QRE141J-332Y	C RESISTOR	3.3K 5% 1/4W	
	Q 789	KRA102M-T	D.TRANSISTOR				R 722	QRE141J-332Y	C RESISTOR	3.3K 5% 1/4W	
	Q 971	KRC102M-T	D.TRANSISTOR				R 723	QRE141J-102Y	C RESISTOR	1.0K 5% 1/4W	
	Q 972	KRA102M-T	D.TRANSISTOR				R 724	QRE141J-472Y	C RESISTOR	4.7K 5% 1/4W	
	Q 987	KRA102M-T	D.TRANSISTOR				R 725	QRE141J-473Y	C RESISTOR	47K 5% 1/4W	
	Q 988	KRC102M-T	D.TRANSISTOR				R 726	QRE141J-473Y	C RESISTOR	47K 5% 1/4W	
	Q 989	KRA102M-T	D.TRANSISTOR				R 727	QRE141J-473Y	C RESISTOR	47K 5% 1/4W	
	R 1	QRE141J-100Y	C RESISTOR	10 5% 1/4W			R 751	QRE141J-102Y	C RESISTOR	1.0K 5% 1/4W	
	R 2	QRE141J-102Y	C RESISTOR	1.0K 5% 1/4W			R 753	QRE141J-473Y	C RESISTOR	47K 5% 1/4W	
	R 3	QRE141J-102Y	C RESISTOR	1.0K 5% 1/4W			R 754	QRE141J-334Y	C RESISTOR	330K 5% 1/4W	
	R 4	QRE141J-103Y	C RESISTOR	10K 5% 1/4W			R 757	QRE141J-473Y	C RESISTOR	47K 5% 1/4W	
	R 5	QRE141J-102Y	C RESISTOR	1.0K 5% 1/4W			R 758	QRE141J-473Y	C RESISTOR	47K 5% 1/4W	
	R 6	QRE141J-103Y	C RESISTOR	10K 5% 1/4W			R 761	QRE141J-102Y	C RESISTOR	1.0K 5% 1/4W	
	R 9	QRE141J-103Y	C RESISTOR	10K 5% 1/4W			R 762	QRE141J-102Y	C RESISTOR	1.0K 5% 1/4W	
	R 14	QRE141J-155Y	C RESISTOR	1.5M 5% 1/4W			R 763	QRE141J-102Y	C RESISTOR	1.0K 5% 1/4W	
	R 15	QRE141J-475Y	C RESISTOR	4.7M 5% 1/4W			R 764	QRE141J-473Y	C RESISTOR	47K 5% 1/4W	
	R 17	QRE141J-222Y	C RESISTOR	2.2K 5% 1/4W			R 771	QRE141J-472Y	C RESISTOR	4.7K 5% 1/4W	
	R 18	QRE141J-223Y	C RESISTOR	22K 5% 1/4W			R 772	QRE141J-103Y	C RESISTOR	10K 5% 1/4W	
	R 51	QRE141J-122Y	C RESISTOR	1.2K 5% 1/4W			R 773	QRE141J-102Y	C RESISTOR	1.0K 5% 1/4W	
	R 52	QRE141J-472Y	C RESISTOR	4.7K 5% 1/4W			R 774	QRE141J-152Y	C RESISTOR	1.5K 5% 1/4W	
	R 61	QRE141J-122Y	C RESISTOR	1.2K 5% 1/4W			R 783	QRE141J-473Y	C RESISTOR	47K 5% 1/4W	
	R 62	QRE141J-472Y	C RESISTOR	4.7K 5% 1/4W			R 784	QRE141J-102Y	C RESISTOR	1.0K 5% 1/4W	
	R 101	QRE141J-153Y	C RESISTOR	15K 5% 1/4W			R 785	QRE141J-473Y	C RESISTOR	47K 5% 1/4W	
	R 103	QRE141J-101Y	C RESISTOR	100 5% 1/4W			R 786	QRE141J-102Y	C RESISTOR	1.0K 5% 1/4W	
	R 104	QRE141J-334Y	C RESISTOR	330K 5% 1/4W			R 787	QRE141J-101Y	C RESISTOR	100 5% 1/4W	
	R 131	QRE141J-223Y	C RESISTOR	22K 5% 1/4W			R 788	QRE141J-242Y	C RESISTOR	2.4K 5% 1/4W	
	R 132	QRE141J-222Y	C RESISTOR	2.2K 5% 1/4W			R 789	QRE141J-104Y	C RESISTOR	100K 5% 1/4W	
	R 151	QRE141J-273Y	C RESISTOR	27K 5% 1/4W			R 790	QRE141J-474Y	C RESISTOR	470K 5% 1/4W	
	R 152	QRE141J-823Y	C RESISTOR	82K 5% 1/4W			R 792	QRE141J-6R8Y	C RESISTOR	6.8 5% 1/4W	
	R 161	QRE141J-273Y	C RESISTOR	27K 5% 1/4W			R 795	QRE141J-183Y	C RESISTOR	18K 5% 1/4W	
	R 162	QRE141J-823Y	C RESISTOR	82K 5% 1/4W			R 796	QRE141J-473Y	C RESISTOR	47K 5% 1/4W	
	R 163	QRE141J-821Y	C RESISTOR	820 5% 1/4W			R 797	QRE141J-123Y	C RESISTOR	12K 5% 1/4W	
	R 164	QRE141J-101Y	C RESISTOR	100 5% 1/4W			R 901	QRE141J-101Y	C RESISTOR	100 5% 1/4W	
	R 165	QRE141J-222Y	C RESISTOR	2.2K 5% 1/4W			R 931	QRE141J-100Y	C RESISTOR	10 5% 1/4W	
	R 201	QRE141J-153Y	C RESISTOR	15K 5% 1/4W			R 951	QRE141J-472Y	C RESISTOR	4.7K 5% 1/4W	
	R 203	QRE141J-101Y	C RESISTOR	100 5% 1/4W			R 971	QRE141J-473Y	C RESISTOR	47K 5% 1/4W	
	R 204	QRE141J-334Y	C RESISTOR	330K 5% 1/4W			R 972	QRE141J-471Y	C RESISTOR	470 5% 1/4W	
	R 231	QRE141J-223Y	C RESISTOR	22K 5% 1/4W			R 990	QRE141J-103Y	C RESISTOR	10K 5% 1/4W	
	R 232	QRE141J-222Y	C RESISTOR	2.2K 5% 1/4W			TU 1	QAU0223-001	TUNER		
	R 251	QRE141J-273Y	C RESISTOR	27K 5% 1/4W			X 701	QAX0406-001Z	CRYSTAL		
	R 252	QRE141J-823Y	C RESISTOR	82K 5% 1/4W							
	R 261	QRE141J-273Y	C RESISTOR	27K 5% 1/4W							
	R 262	QRE141J-823Y	C RESISTOR	82K 5% 1/4W							
	R 263	QRE141J-821Y	C RESISTOR	820 5% 1/4W							
	R 264	QRE141J-101Y	C RESISTOR	100 5% 1/4W							
	R 265	QRE141J-222Y	C RESISTOR	2.2K 5% 1/4W							
	R 702	QRE141J-473Y	C RESISTOR	47K 5% 1/4W							
	R 703	QRE141J-473Y	C RESISTOR	47K 5% 1/4W							
	R 704	QRE141J-103Y	C RESISTOR	10K 5% 1/4W							
	R 705	QRE141J-473Y	C RESISTOR	47K 5% 1/4W							
	R 707	QRE141J-473Y	C RESISTOR	47K 5% 1/4W							
	R 708	QRE141J-473Y	C RESISTOR	47K 5% 1/4W							
	R 709	QRE141J-472Y	C RESISTOR	4.7K 5% 1/4W							
	R 710	QRE141J-472Y	C RESISTOR	4.7K 5% 1/4W							
	R 712	QRE141J-332Y	C RESISTOR	3.3K 5% 1/4W							
	R 713	QRE141J-332Y	C RESISTOR	3.3K 5% 1/4W							

■ Electrical parts list (Front board)

Block No. 02

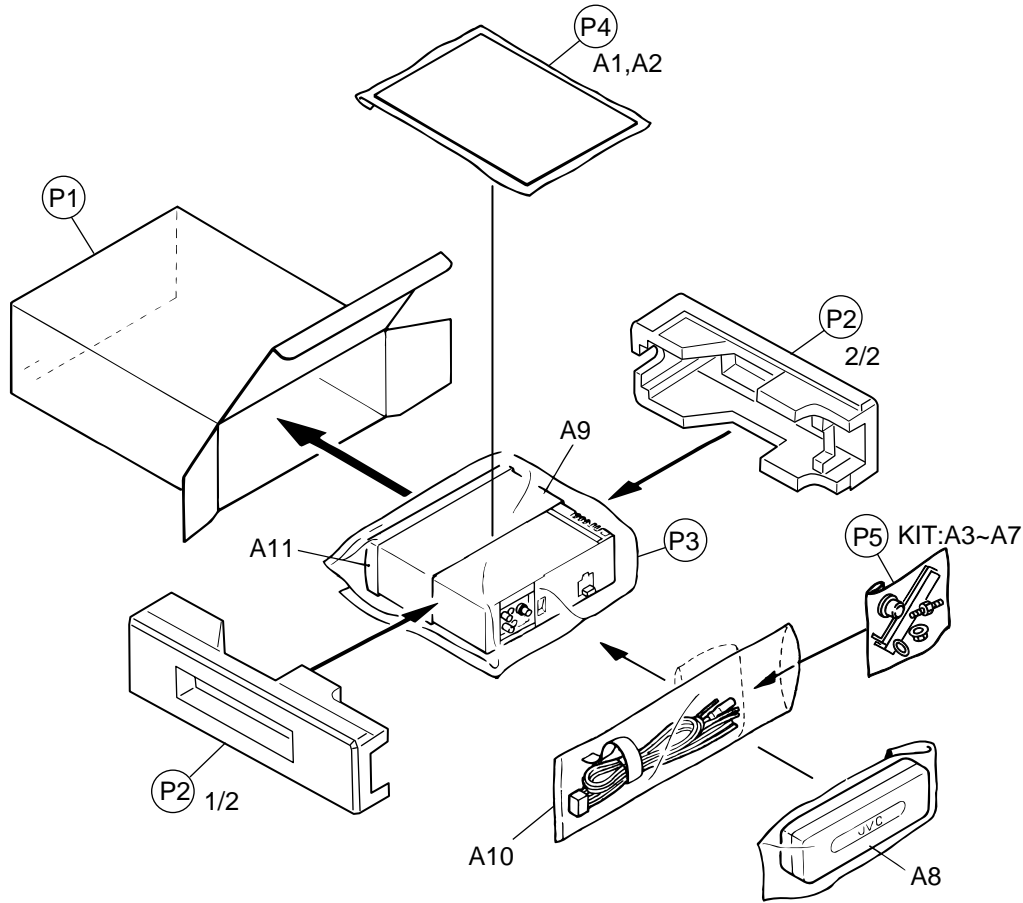
△	Item	Parts number	Parts name	Remarks	Area
	C 651	NCB21EK-104X	C CAPACITOR		
	C 652	NBE20JM-475X	TS E CAPACITOR		
	C 653	NCB21HK-681X	C CAPACITOR		
	CP701	VMC0335-001	CONNECTOR		
	D 601	LNJ308G81/1-3/X	LED		
	D 602	LNJ308G81/1-3/X	LED		
	D 603	LNJ308G81/1-3/X	LED		
	D 604	LNJ308G81/1-3/X	LED		
	D 605	LNJ308G81/1-3/X	LED		
	D 609	LNJ308G81/1-3/X	LED		
	D 610	LNJ308G81/1-3/X	LED		
	D 611	LNJ308G81/1-3/X	LED		
	D 612	LNJ308G81/1-3/X	LED		
	D 613	LNJ308G81/1-3/X	LED		
	D 614	LNJ308G81/1-3/X	LED		
	D 615	LNJ308G81/1-3/X	LED		
	D 616	LNJ308G81/1-3/X	LED		
	D 618	LNJ308G81/1-3/X	LED		
	D 619	LNJ308G81/1-3/X	LED		
	D 620	LNJ308G81/1-3/X	LED		
	D 621	LNJ308G81/1-3/X	LED		
	D 622	LNJ308G81/1-3/X	LED		
	D 623	SML-310LT/MN/-X	LED		
	D 624	LNJ308G81/1-3/X	LED		
	IC651	LC75823W	IC		
	PL601	QLL0070-001	PILOT LAMP		
	PL603	QLL0070-001	PILOT LAMP		
	R 601	NRSA02J-271X	MG RESISTOR		
	R 602	NRSA02J-331X	MG RESISTOR		
	R 603	NRSA02J-391X	MG RESISTOR		
	R 604	NRSA02J-471X	MG RESISTOR		
	R 605	NRSA02J-561X	MG RESISTOR		
	R 606	NRSA02J-271X	MG RESISTOR		
	R 607	NRSA02J-331X	MG RESISTOR		
	R 608	NRSA02J-391X	MG RESISTOR		
	R 609	NRSA02J-471X	MG RESISTOR		
	R 610	NRSA02J-561X	MG RESISTOR		
	R 611	NRSA02J-821X	MG RESISTOR		
	R 612	NRSA02J-271X	MG RESISTOR		
	R 613	NRSA02J-331X	MG RESISTOR		
	R 614	NRSA02J-391X	MG RESISTOR		
	R 615	NRSA02J-471X	MG RESISTOR		
	R 616	NRSA02J-561X	MG RESISTOR		
	R 617	NRSA02J-821X	MG RESISTOR		
	R 621	NRSA02J-103X	MG RESISTOR		
	R 622	NRSA02J-103X	MG RESISTOR		
	R 623	NRSA02J-103X	MG RESISTOR		
	R 631	NRSA02J-821X	MG RESISTOR		
	R 632	NRSA02J-821X	MG RESISTOR		
	R 633	NRSA02J-821X	MG RESISTOR		
	R 634	NRSA02J-821X	MG RESISTOR		
	R 640	NRSA02J-331X	MG RESISTOR		
	R 641	NRSA02J-331X	MG RESISTOR		
	R 642	NRSA02J-821X	MG RESISTOR		
	R 644	NRSA02J-821X	MG RESISTOR		
	R 646	NRSA02J-821X	MG RESISTOR		
	R 648	NRSA02J-821X	MG RESISTOR		
	R 650	NRSA02J-511X	MG RESISTOR		
	R 651	NRSA02J-511X	MG RESISTOR		
	R 661	NRSA02J-152X	MG RESISTOR		
	R 662	NRSA02J-473X	MG RESISTOR		
	R 663	NRSA02J-154X	MG RESISTOR		
	S 601	NSW0124-001X	TACT SWITCH		

△	Item	Parts number	Parts name	Remarks	Area
	S 602	NSW0124-001X	TACT SWITCH		
	S 603	NSW0124-001X	TACT SWITCH		
	S 604	NSW0124-001X	TACT SWITCH		
	S 605	NSW0124-001X	TACT SWITCH		
	S 606	NSW0124-001X	TACT SWITCH		
	S 607	NSW0124-001X	TACT SWITCH		
	S 608	NSW0124-001X	TACT SWITCH		
	S 609	NSW0124-001X	TACT SWITCH		
	S 610	NSW0124-001X	TACT SWITCH		
	S 611	NSW0124-001X	TACT SWITCH		
	S 612	NSW0124-001X	TACT SWITCH		
	S 613	NSW0124-001X	TACT SWITCH		
	S 614	NSW0124-001X	TACT SWITCH		
	S 615	NSW0124-001X	TACT SWITCH		
	S 616	NSW0124-001X	TACT SWITCH		
	S 617	NSW0124-001X	TACT SWITCH		
	S 618	NSW0124-001X	TACT SWITCH		
	S 619	NSW0124-001X	TACT SWITCH		
	S 620	NSW0124-001X	TACT SWITCH		

# Packing materials and accessories parts list

Block No. M 3 M M

Block No. M 5 M M



## Parts list (Packing)

Block No. M3MM

⚠	Item	Parts number	Parts name	Q'ty	Description	Area
	P 1	GE30123-055A	PACKING CASE	1		
	P 2	LV10448-001A	PACKING CUSHION	1		
	P 3	QPC03004315P	POLY BAG	1		
	P 4	FSPG4002-001	POLY BAG	1	INST.BOOK	
	P 5	QPA00801205	POLY BAG	1		

## Parts list (Accessories)

Block No. M4MM

⚠	Item	Parts number	Parts name	Q'ty	Description	Area
	A 1	GET0053-001A	INST.BOOK	1	ENG,CHI,THA,ARA	
	A 2	GET0053-002A	INSTALL MANUAL	1	ENG,CHI,THA,ARA	
	A 3	VKZ4027-202	PLUG NUT	1		
	A 4	VKH4871-001SS	MOUNT BOLT	1		
	A 5	VKZ4328-001	LOCK NUT	1	FOR M5	
	A 6	WNS5000Z	WASHER	1		
	A 7	FSKL4010-002	HOOK	2		
	A 8	FSJB3002-30C	HARD CASE	1		
	A 9	FSKM2004-202	MOUNTING SLEEVE	1		
	A 10	QAM0013-006	16P CORD ASSY	1		
	A 11	FSJD2034-004	TRIM PLATE	1		
	KIT	KDGS717K-SCREW1	SCREW PARTS KIT	1	A3~A7	